

SALTER LABS®



Salter 8900 Series
Small Volume Nebulizer
Disposable—single patient use

Assurance of Reliability, Efficiency and User Convenience, Day In and Day Out



Features

- Nebulizes 3cc within 7 minutes or less at 7_{LPM} in horizontal or vertical position
- Larger surface area provided by unique convex cone design
- Removable “cone” design color coded
- Scalloped, bottom cuff design
- One-eighth turn screw on cap

Benefits

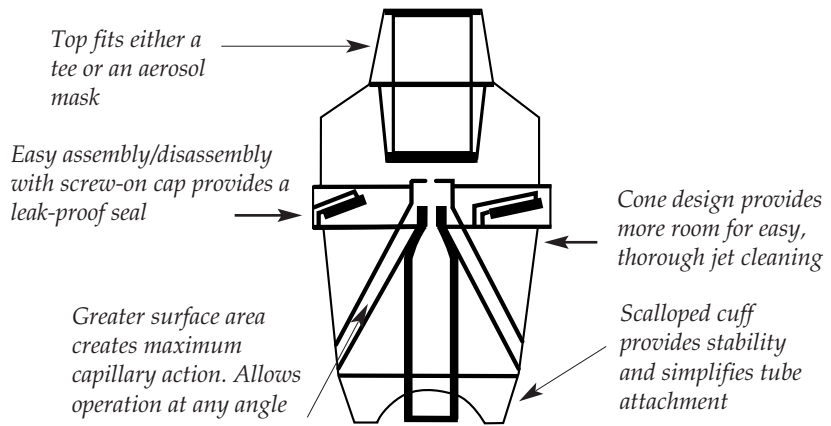
- Allows patient to be in a comfortable position for treatment
- Maximum capillary action eliminates medication waste
- Allows for easy, thorough jet cleaning and reassembly
- Allows the unit to stand alone; simplifies tube attachment
- Easy to assemble and disassemble, provides a leak- proof seal

Variety of uses. . . Hospital, Skilled Nursing Facility, Homecare, Clinic



Salter 8900 Series Nebulizer*
 Disposable—single patient use

Built-in quality and reliability...
 Minimizes patient operational assistance.



Flow Rate (L/min.)	Particle Size (microns)										
	0.14	0.23	0.40	0.62	1.30	2.30	3.20	4.60	6.50	9.20	MMAD
4	3%	5%	10%	21%	25%	26%	6%	2%	1%	2%	1.30
6	4%	9%	15%	26%	25%	16%	2%	1%	2%	1%	1.10
7	4%	11%	16%	27%	22%	14%	2%	1%	1%	1%	1.10
8	4%	12%	17%	30%	20%	12%	2%	0%	1%	1%	1.00

Test Specifications: were performed at 50psi source pressure with 0.9%NaCl. Particle size distribution measured by QCM Cascade impactor.

Ordering Information

8900 Series Nebulizer Kits*
 Disposable—single patient use

	Units (per case)	Part No.		Units (per case)	Part No.
Full Kit: Nebulizer, anti-drool "T", mouthpiece, 6" reservoir tube, 7' supply tube	50	8900	Aerosol "T" 22mm O.D. x 22mm O.D. x 15mm I.D.	50	8917
Same as above with 7' supply tube with female thread-grip connector	50	8900TG	Nebulizer, adult over-the-ear style aerosol mask	50	8903
In-Line Kit: Nebulizer, 22mm O.D. x 22mm O.D. x 18mm I.D."T", 6" reservoir tube, 7' supply tube	50	8915	Nebulizer, adult elastic strap style aerosol mask	50	8923
Same as above with 7' supply tube with female thread-grip connector	50	8915TG	Nebulizer, adult over-the-ear style aerosol mask, 7' supply tube	50	8904
In-Line "T" 22mm O.D. x 22mm O.D. x 18mm I.D.	50	8916	Same as above with female thread grip connector	50	8904TG
Nebulizer, anti-drool "T", mouthpiece, 7' supply tube	50	8911	Nebulizer, adult elastic strap style aerosol mask, 7' supply tube	50	8924
Nebulizer, anti-drool "T", mouthpiece, 6" reservoir tube	50	8912	Nebulizer, pediatric elastic strap style aerosol mask	50	8905
Nebulizer, anti-drool "T", mouthpiece	50	8913	Nebulizer, pediatric elastic strap style aerosol mask, 7' supply tube	50	8906
Nebulizer, anti-drool "T", 6" reservoir tube	50	8914	Nebulizer, pediatric aerosol mask VADS*, with elastic head strap, and 7' supply tube	50	8907
Nebulizer, 7' supply tube	50	8902			
Nebulizer only	50	8901			
Anti-Drool "T" 22mm O.D. x 22mm I.D. x 18mm I.D.	50	8910			
Mouthpiece	50	1003			



100 W. Sycamore Road - Arvin, CA 93203
 Phone: 661-854-3166
 1-800-421-0024 (CA only)
 1-800-235-4203 (U.S. & Canada)
 Fax: 661-854-3850
 Toll Free Fax: 1-800-628-4690 (U.S. & Canada)
 International Fax: 661-854-3850
 E-mail: salterlabs@us.salterlabs.com
 www.salterlabs.com

*VADS (Valved Aerosol Delivery System SLC-43)